

Motive Monkey Quick Start

General description

Motive Monkey is a remote control unit for motorbikes.

Motive Monkey is especially configured for the Scenic navigation App. With Motive Monkey you can use the app to zoom in or out, start or pause music etc. This is achieved using the four buttons on the Motive Monkey mounted to your handlebar.

Motive Monkey consists of 4 buttons. These buttons need to be configured by the user to various functions in Scenic. You can press UP once to zoom, or press and hold UP to continuously zoom in. Likewise, for DOWN to zoom out. The LEFT and RIGHT buttons have two functions each: a short press and a long press (> 0,5 sec).

So, in total there are 6 commands which can be configured. A suggested configuration for Scenic is provided below.

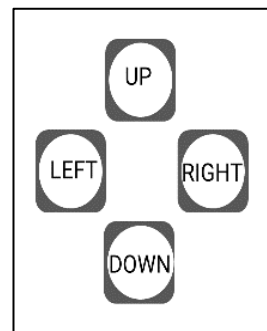


Fig 1. Motive Monkey -Star Shape Version-

How to start:

Please note: Scenic uses the native language on the iPhone for its menus and labels. In this manual we assume English is used.

Please update to the latest version of Scenic, required is version 4.x or higher.

Step1. Pairing Motive Monkey on your iPhone:

If Motive Monkey is powered on and near the iPhone, go to Settings > Bluetooth on your iPhone and select the newly discovered device in your Bluetooth device list: Motive Monkey, and click **Pair**. No passkey is needed. Your Motive Monkey is now paired to your iPhone.

Step 2: Setup connection between Scenic on iPhone and the Motive Monkey device.

In Scenic, go to: Settings > Handlebar controller

Switch 'I have a Controller' to **On**

Scenic will then reply: '**Handlebar connected**'.

After this first time, Scenic will automatically connect to Motive Monkey when it is powered

on. The order in which you start up Scenic or Motive Monkey does not matter.

Please note that Motive Monkey has a startup **delay of 2 seconds** when you start your bike. This is meant to mitigate power spikes during initialization.

Step 3: Configure button mapping in Scenic in the Handlebar controller menu.

In the picture below, our suggested key mappings are presented. Please note that the 'back' function is not necessary to map because the left button in Scenic is context aware. Therefore, we prefer mapping Left for example to Overview. Of course you can have your own preferred key mappings.

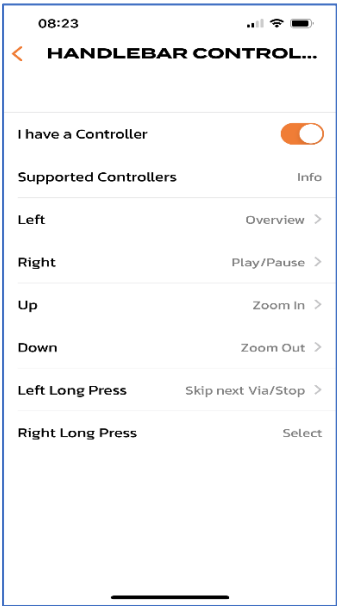
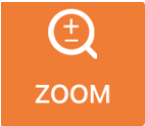


Table 1. Suggested mapping of Keys for Motive Monkey

Step 4: Configure manual zoom

In the Scenic button menu: Click the Zoom button multiple times for 'manual zoom':



(Please note the **±** symbol within the magnifying glass)

IOS virtual keyboard

When Motive Monkey is connected to your iPhone, the virtual or 'on screen' iPhone keyboard may not appear when you for example want to type something e.g. in Whatsapp on your iPhone. This is standard IOS behavior on iPhones. You can toggle the on-screen keyboard by **simultaneously pressing and holding the RIGHT button and the UP button**. Then the on-screen keyboard appears. This may take some practice.

Explanation: Motive Monkey emulates a Bluetooth keyboard. When using an external keyboard on an iPhone, the on-screen keyboard will not pop up anymore. This is standard IOS behavior.

Keep in mind that, if no Motive Monkey button has been pressed yet, the on-screen keyboard DOES show up. So only after one or more Motive Monkey buttons have been pressed, you have to use the RIGHT and UP buttons as described to be able to use the on-screen keyboard.

For iPad users: please note that you should not enable 'extended keyboard' on IOS. iPad users with a full Bluetooth keyboard might have enabled this feature. This combination will not work with Motive Monkey because Scenic will interpret keystrokes in another way. You can find this via the IOS settings > accessibility > keyboards and typing > extended keyboard functions.

Installation Motive Monkey on the motorcycle:

Motive Monkey is provided with a USB cord for powering and uses 2 screws to be used for mounting on the handlebar. NB: Using longer screws will damage the casing.

Power:

Motive Monkey is powered via USB with a USB A connector (5 volts DC). Power usage is very low (< 65 mA). You should use a switched power outlet.

Dimensions:

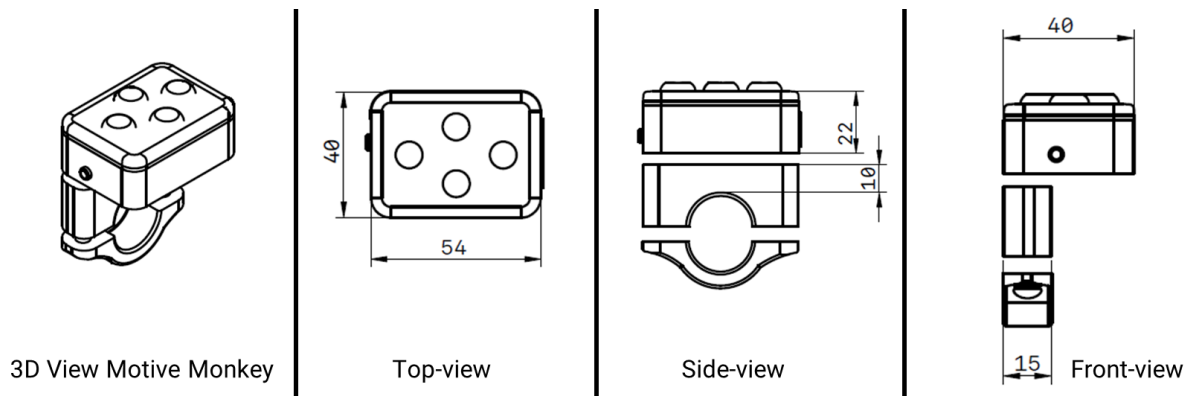


Fig 2. Technical Drawing Motive Monkey

Further dimensions:

Handlebar diameter is 22 mm or 7/8 inch
Screws (2 pcs) to assemble are provided: M4 35 mm (1.38 inch RVS)
USB Power cord approximately 50 cm (20 inch) length

Caution:

You are advised to be cautious using the Motive Monkey when driving; practice the use of Motive Monkey as a table-top exercise before you hit the road